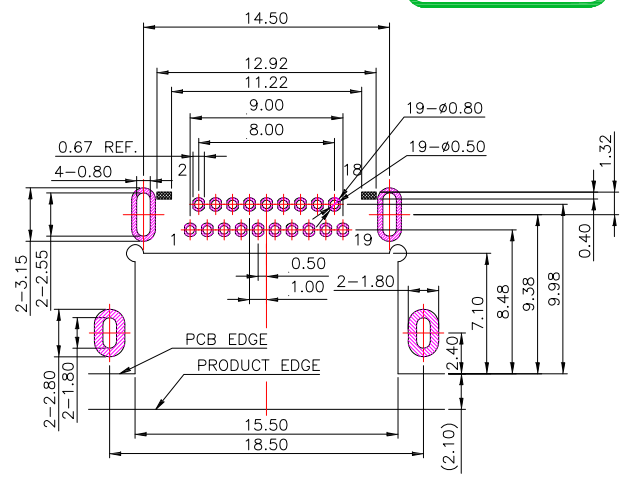
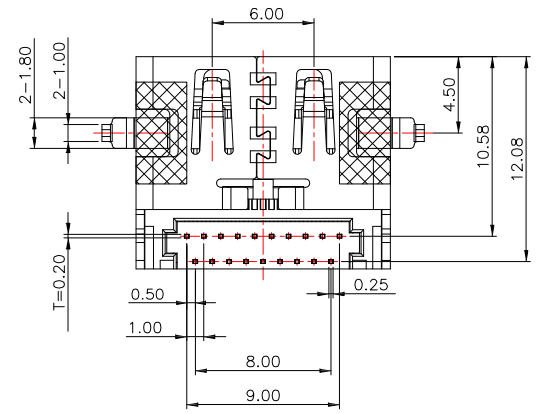
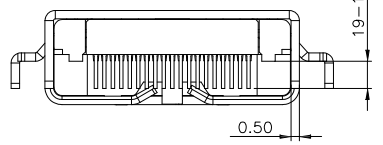
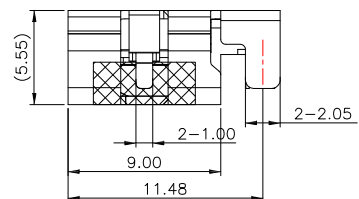
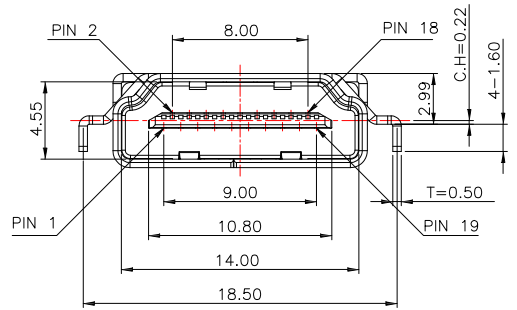
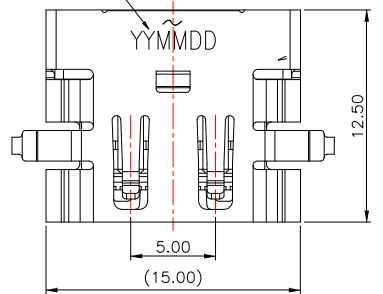




DATE CODE: YYMMDD
 "YY": YEAR
 "MM": MONTH
 "DD": DAY



P.C.B. LAYOUT

NOTE:

- 1.MATERIAL:
 - 1.1 HOUSING: LCP , BLACK
 - 1.2 CONTACT: PHOSPHOR BRONZE
 - 1.3 SHEEL: SUS
 - 1.4 TOP COVER: LCP , BLACK
 - 1.5 BOTTOM COVER: LCP , BLACK
 - 1.6 MYLAR: POLYIMIDE , YELLOW
- 2.PLATING :
 - 2.1 CONTACT: PLATED GOLD IN MATING AREA ;
TIN PLATED ON SOLDER BALLS ;
TIN UNDER PLATED OVERALL
 - 2.2 SHELL: NICKEL UNDER PLATED SURFACE LAYER
- 3.ELECTRICAL:
 - 3.1 RATING: 40V, 0.5A
 - 3.2 INSULATION RESISTANCE: 100MΩ MIN
 - 3.3 CONTACT RESISTANCE: 30 mΩ MAX
 - 3.4 DIELECTRIC WITHSTANDING VOLTAGE: 500V AC

CONTACT 建倚科技股份有限公司
CONTACT TECHNOLOGY CORP.

TOLERANCE UNLESS OTHERWISE STATED :
 Up to 5 ±0.2
 Above 5 ~ 15 ±0.3
 Above 15 ~ 30 ±0.4
 Above 30 ~ 50 ±0.5
 Angle ±0.3

3RD. ANGEL'S



UNITS

MM

DRAWN BY:	DATE	MAT'L	TITLE	CONNECTOR
Jack Lu	06/03/24			
CHECKED BY:	DATE	FINISH	MODLE	HDMI AF 反向沉板 DIP CH0.22mm
Jacky Chen	06/03/24			
APPROVED BY:	DATE	SCALE	DWG NO.	HDMI-19P-D14RV-S461
Tony Kao	06/03/24	1 : 1		
		SHEET NO.	PART NO.	HDMI-19P-D14RV-S461
		1 of 1		
				SIZE A4
				VER R

ITEM NO.	DESCRIPTION	DRAWN	DATE